

- Równoczesne wskazania ciśnienia i temperatury
- 3-cyfrowy wyświetlacz LED, sygnalizacja stanów wyjść
- 80 mm obudowa wykonana ze stali nierdzewnej
- 2-minutowa pamięć min/maks
- Zakres ciśnienia od 250 mbar do 40 bar
- Zakres temperatury 0...50°C do -20...100°C
- Wyjście analogowe: (0)4...20 mA, 0...10 V
- 2 wyjścia tranzystorowe DC PNP, maks. 200 mA



## Cyfrowy manometr PTM 82 z pomiarem temperatury

### Dane techniczne:

Zakresy pomiarowe:	0...250 mbar do 0...40 bar 0...50°C do -20...100°C
Wyjście analogowe:	(0)4...20 mA, 0...10 V
Wyjście tranzystorowe:	DC PNP, max. 200 mA
Dokładność:	
Ciśnienia:	$\leq \pm 0.5\% \text{ FS @ } 25^\circ\text{C}$
Temperatury:	$\leq \pm 0.3\% \text{ FS @ } 25^\circ\text{C} + 0,3^\circ\text{C}$ $+0.005^\circ\text{C} \times t \text{ (Pt1000 Kl. B)}$
Czas odpowiedzi:	200 ms
Zasilanie:	10...30V DC, 20 mA 16...30V DC, 10 V
Temperatura otoczenia:	-20...80 °C
Temperatura procesu:	-20...100 °C
Błąd temperaturowy:	$\leq \pm 0.03\% \text{ FS/K zero (ciśnienie)}$ $\leq \pm 0.02\% \text{ FS/K span (ciśnienie)}$ $\leq \pm 0.02\% \text{ FS/K (temperatura)}$
Stabilność długoterminowa:	$\leq \pm 0.5\% \text{ FS p. a.}$
Obudowa:	1.4301 (304) IP 67
Przyłącze:	G 1/2", 1.4404 (316L)
Czujnik:	ceramiczny $\text{AL}_2\text{O}_3$
Złącze:	M12x1 5-pin

**Nöding**

Meßtechnik

## Pressure range

range	code	overload (bar)
0...250 mbar / 0...25 kPa	02	-0,15 / 1
0...400 mbar / 0...40 kPa	03	-0,15 / 1
0...500 mbar / 0...50 kPa	B7	-0,2 / 2
0...600 mbar / 0...60 kPa	04	-0,2 / 2
0...1 bar / 0...100 kPa	05	-0,2 / 2
0...1.6 bar / 0...160 kPa	06	-0,4 / 4
0...2 bar / 0...200 kPa	B3	-0,4 / 4
0...2.5 bar / 0...250 kPa	07	-0,8 / 10
0...4 bar / 0...400 kPa	08	-0,8 / 10
0...5 bar / 0...500 kPa	F1	-0,8 / 10
0...6 bar / 0...600 kPa	09	-1 / 20
0...10 bar / 0...1 MPa	10	-1 / 40
0...16 bar / 0...1.6 MPa	11	-1 / 40
0...20 bar / 0...2 MPa	B5	-1 / 40
0...25 bar / 0...2.5 MPa	12	-1 / 100
0...40 bar / 0...4 MPa	13	-1 / 100
-1...1 bar / -100...100 kPa	D6	-1 / 4
-1...1.5 bar / -100...150 kPa	D7	-1 / 4
-1...3 bar / -100...300 kPa	D8	-1 / 10
-1...5 bar / -100...500 kPa	D9	-1 / 10
-1...9 bar / -100...900 kPa	E1	-1 / 40
-1...15 bar / -100...1500 kPa	E2	-1 / 40
-1...19 bar / -100...1900 kPa	E3	-1 / 40

## Temperatur range

range	code
0...50°C	1
0...60°C	2
0...80°C	3
0...100°C	4
-20...50°C	A
-20...60°C B	
-20...80°C	C
-20...100°C	D
0...50.0°C	J
0...60.0°C	K
0...80.0°C	L
0...100.0°C	M
-20.0...50.0°C	N
-20.0...60.0°C	O
-20.0...80.0°C	P
-20.0...100.0°C	Q

## Ordering code

### Analog output pressure

- 0 without
- 1 0...10V 3-wire
- 2 0...20 mA 3-wire
- 3 4...20 mA 3-wire (\*)

(\*) signal range  
3.8...20.5 mA

### Analog output temperatur

- 0 without
- 1 0...10V 3-wire
- 2 0...20 mA 3-wire
- 3 4...20 mA 3-wire (\*)

3 outputs are possible,  
either  
2 analog outputs + 1 contact-  
output, or  
1 analog + 2 contact outputs

### Contact output pressure

- 0 without
- 1 1 Contact
- 2 2 Contacts

### Contact output temperatur

- 0 without
- 1 Contact
- 2 Contacts

### Pressure Range

Measurement range see table  
99 non standard range

### Temperatur Range

Measurement range see table  
9 non standard range

### Process connection and material

- G G1/2" below, 1.4404, protection tube 6 R
- 0 G1/2" sidewise left, 1.4404, protection tube 6 R
- 9 others on request

### Temperatur tube length

- 05 50 mm
- 10 100 mm others on request
- 16 160 mm
- 25 250 mm

### Sensor seal

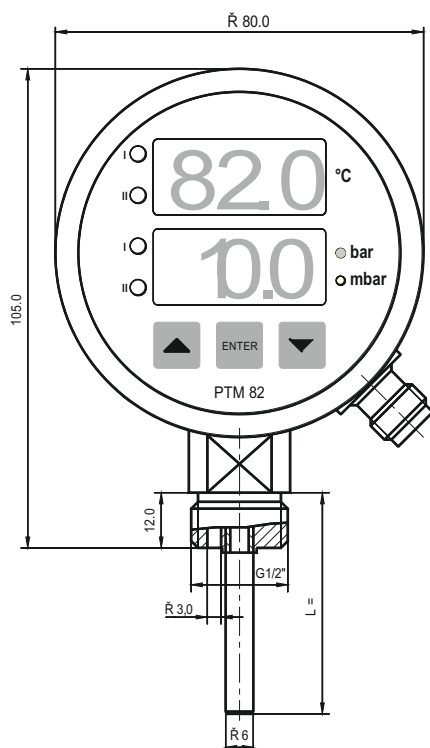
- 1 FPM Viton (Standard)
- 2 NBR (Nitril)
- 3 EPDM Kautschuk

### Options

- 0 Pt 1000 KI. B (standard)
- 1 Pt 1000 KI. B; Pressure display only 2 digit
- 2 Pt 1000 KI. A
- 3 Pt 1000 KI. A; Pressure display only 2 digit

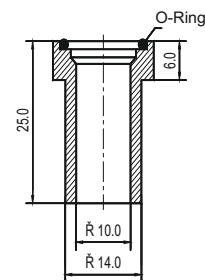
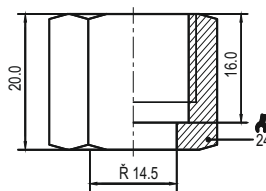
PTM82 - [ ] - [ ] - [ ]

## Dimensions (mm)



## Accessories (optional)

gauge connection with welding nipple  
MAT82-EPDM  
MAT82-FPM  
MAT82-NBR

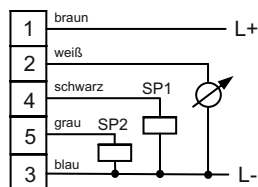


## Electrical connections

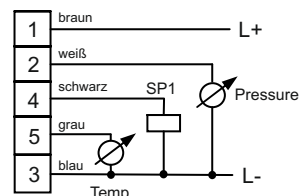


Connector M12x1  
5-pin

Connection with 1 Analog output,  
and 2 contact outputs



Connection with 2 Analog outputs,  
and 1 contact output



Modifications reserved without notice 09.10